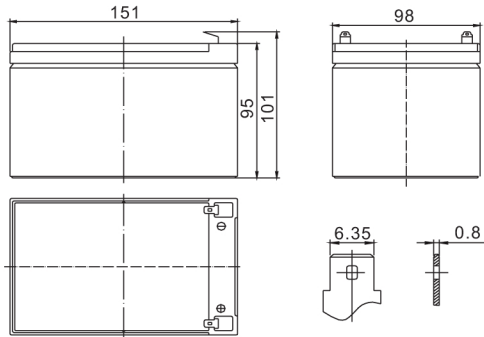


Standard Series

BP12120 12V12Ah



Dimension(mm)



T2 Terminal



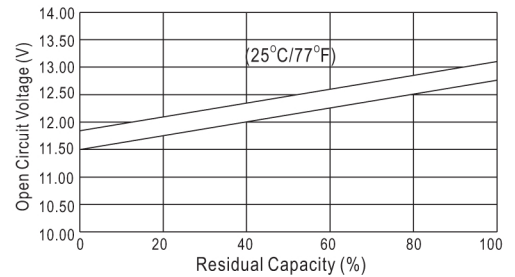
Specification

| | | |
|----------------------|--------------|------------------|
| Nominal Voltage | | 12 V |
| Capacity(20HR, 25°C) | | 12Ah |
| Dimension | Length | 151mm (5.94inch) |
| | Width | 98mm (3.86inch) |
| | Height | 95mm (3.74inch) |
| | Total Height | 101mm (3.98inch) |
| Approx. Weight | | 3.60kg (8.14lbs) |

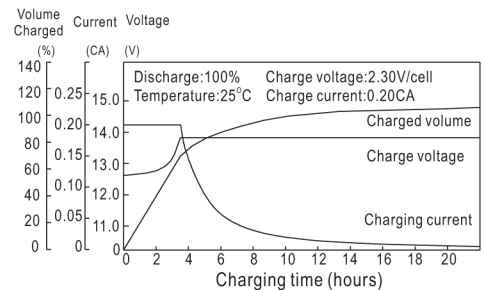
Characteristics

| | | |
|--|--------------|-------------------------|
| Capacity 20°C (68□) To 1.70V/Cell | 20 hour rate | 12Ah |
| | 10 hour rate | 11.1Ah |
| | 5 hour rate | 10.3Ah |
| | 1 hour rate | 7.49Ah |
| | 15 min rate | 5.87Ah |
| Internal resistance(Fully charged, 25°C) | | Approx. 19m Ω |
| Capacity affected by temperature (20HR) | 40°C | 102% |
| | 25°C | 100% |
| | 0°C | 85% |
| | -15°C | 65% |
| Self-discharge (25°C) | 3 month | Remaining Capacity: 91% |
| | 6 month | Remaining Capacity: 82% |
| | 12 month | Remaining Capacity: 65% |
| Nominal operating temperature | | 25°C ±3°C (77°F ±5°F) |
| Operating temperature range | | -15°C~50°C(5°F~122°F) |
| Float charging voltage(25°C) | | 13.60 to 13.80V |
| Cyclic charging voltage(25°C) | | 14.50 to 14.90V |
| Maximum charging current | | 3.6A |
| Terminal material | | Copper |
| Maximum discharge current | | 180A(5 Sec.) |

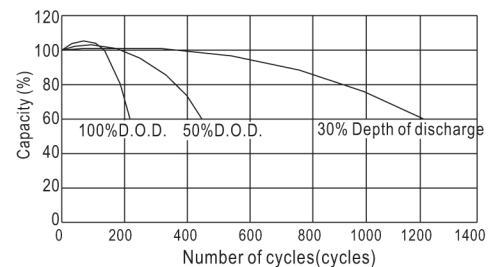
The Relationship for Open Circuit Voltage and Residual Capacity (25°C)



Charging Characteristics(25°C)



Cycle Life(25°C)



Constant Current Discharge Characteristics (A, 25°C)

| F.V/TIME | 5min | 10min | 15min | 30min | 60min | 3h | 5h | 10h | 20h |
|----------|------|-------|-------|-------|-------|------|------|------|------|
| 9.60V | 46.0 | 31.0 | 24.5 | 13.5 | 7.80 | 3.17 | 2.08 | 1.12 | 0.60 |
| 10.2V | 43.7 | 29.5 | 23.5 | 13.0 | 7.49 | 3.12 | 2.05 | 1.11 | 0.59 |
| 10.8V | 41.0 | 27.7 | 22.3 | 12.3 | 7.11 | 3.06 | 2.01 | 1.10 | 0.59 |

Constant Power Discharge Characteristics (Watt, 25°C)

| F.V/TIME | 5min | 10min | 15min | 30min | 60min | 3h | 5h | 10h | 20h |
|----------|------|-------|-------|-------|-------|------|------|------|------|
| 9.60V | 513 | 350 | 279 | 155 | 90.3 | 37.6 | 25.0 | 13.4 | 7.20 |
| 10.2V | 488 | 332 | 268 | 149 | 86.7 | 37.1 | 24.5 | 13.3 | 7.10 |
| 10.8V | 458 | 312 | 255 | 141 | 82.4 | 36.3 | 24.0 | 13.3 | 7.10 |