

RANGE SUMMARY

The PowerSafe™ VE range of valve regulated lead acid batteries has been designed to offer competitive solutions for the global telecommunications and information technology markets. PowerSafe VE batteries incorporate selected design features for the cost-conscious user, whilst retaining superior performance by weight and volume, increased flexibility of installation and reduced maintenance. PowerSafe VE's overall design, material specification and construction make it most suitable for other more traditional sectors, such as emergency lighting and utilities.

The PowerSafe VE range is available in two configurations: the traditional top terminal series, typically used for open rack installations and the increasingly popular front terminal series, typically designed for cabinet installations.

The front terminal design makes installation much easier. Monobloc connections are positioned at the front of the cabinet and with no overhead access required, the space between shelves can be reduced. The front terminal design is also much more convenient for routine inspection and maintenance, saving valuable time through easier access.

Features & Benefits

- Capacity range: 46Ah - 518Ah
- Available in 2, 6 and 12 volt blocs
- Optimised for Telecom applications
- Top terminal and front terminal designs
- Container and lid in strong ABS
- "High Performance" Eurobat classification



Construction

- Positive plates designed to extend service life
- Separator in low resistance microporous glass fibre
- Container and lid in tough ABS material. The lid is heat-welded to the container
- Terminal with brass insert for maximum conductivity and with high compression grommet for long life
- Self-regulating pressure relief valve prevents ingress of atmospheric oxygen
- Terminal insulating covers for added safety fitted as standard

Installation & Operation

- The PowerSafe™ VE range is designed for installation in cabinets or on stands. A separate battery room is not necessary
- PowerSafe VE top terminal blocs can be mounted in vertical or horizontal orientation. PowerSafe VE front terminal monoblocs should be installed on their base
- Recommended float charge voltage: 2.280Vpc at 20°C (68°F)
2.265Vpc at 25°C (77°F)
- Reduced maintenance: no water addition required

Standards

- Tested according to international standard IEC 60896-21 and compliant to defined requirements of IEC 60896-22
- Classified as “High Performance” according to the Eurobat Guide
- Able to be shipped as non-hazardous cargo in accordance with the requirements of IMDG (International Maritime code for Dangerous Goods) and OICA (Organisation of International Civil Aviation)
- Manufactured in EnerSys® production facilities certified to ISO 9001:2000

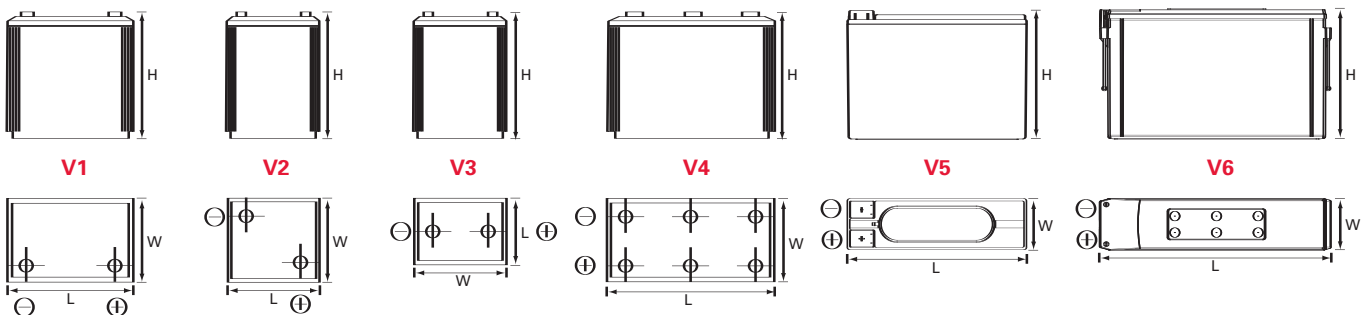
General Specifications

Type	Number of Cells	Nominal Voltage (V)	Nominal Capacity (Ah)		Nominal Dimensions						Terminals				
			10 hr rate to 1.80Vpc @ 20°C	8 hr rate to 1.75Vpc @ 77°F	Length mm	Length in	Width ⁽³⁾ mm	Width ⁽³⁾ in	Overall Height mm	Overall Height in	Typical Weight kg	Typical Weight lbs	Type	Layout	Type
12VE50	6	12	46	47	218	8.58	164	6.46	220	8.66	18.9	41.7	M6 F	V1	12VE50
12VE60 ⁽²⁾	6	12	56	59	271	10.7	164	6.46	220	8.66	22.9	50.5	M6 F	V1	12VE60
12VE75 ⁽²⁾	6	12	68	70	314	12.4	164	6.46	220	8.66	26.7	58.9	M6 F	V1	12VE75
12VE90 ⁽¹⁾	6	12	79	82	360	14.2	164	6.46	228	8.98	31.5	69.5	M6 F	V1	12VE90
6VE140 ⁽¹⁾	3	6	132	134	243	9.57	206	8.11	234	9.21	27.9	61.5	M8 F	V2	6VE140
6VE155 ⁽¹⁾	3	6	157	159	278	10.9	178	7.01	258	10.2	32.2	71.0	M8 M	V2	6VE155
6VE180 ⁽¹⁾	3	6	173	172	296	11.7	204	8.03	234	9.21	34.1	75.2	M8 F	V2	6VE180
2VE225	1	2	200	194	110	4.33	208	8.19	260	10.2	13.9	30.6	M8 F	V3	2VE225
2VE310	1	2	275	267	142	5.59	208	8.19	261	10.3	18.5	40.8	M8 F	V3	2VE310
2VE540 ⁽¹⁾	1	2	518	516	296	11.7	204	8.03	240	9.45	34.7	76.5	M8 F	V4	2VE540
2VE550 ⁽²⁾	1	2	500	484	238	9.37	208	8.19	261	10.3	32.5	71.7	M8 F	V3	2VE550
12VE115F ⁽¹⁾⁽⁴⁾	6	12	100	101	510	20.1	110	4.33	235	9.25	36.5	80.5	M8 F	V5	12VE115F
12VE140F ⁽¹⁾	6	12	125	126	561	22.1	105	4.13	316	12.4	56.0	123.5	M6 M	V6	12VE140F
12VE160F ⁽¹⁾	6	12	155	158	561	22.1	125	4.92	316	12.4	67.0	147.7	M6 M	V6	12VE160F
12VE180F ⁽¹⁾	6	12	165	165	561	22.1	125	4.92	316	12.4	67.0	147.7	M6 M	V6	12VE180F

NOTES:

- ⁽¹⁾ With handles
⁽²⁾ Handles available as an option
⁽³⁾ In horizontal installation, the width of PowerSafe VE top terminal blocs becomes the height, irrespective of positive and negative polarities
⁽⁴⁾ Front terminal kit and remote venting available as options

Terminal Layouts



www.enersys-emea.com

EnerSys
 P.O. Box 14145
 Reading, PA 19612-4145
 USA
 Tel: +1-610-208-1991
 +1-800-538-3627
 Fax: +1-610-372-8613

EnerSys Europe
 Zurich, Switzerland
 Tel: +41 (0)44 215 74 10

EnerSys Asia
 Guangdong, China
 Tel: +86-755-2689 3639

EnerSys Limited
 Rake Lane,
 Clifton Junction,
 Swinton, Manchester
 M27 8LR, UK
 Tel: +44 (0)161 794 4611
 Fax: +44 (0)161 727 3809

Contact:

© 2007 EnerSys. All rights reserved.
 Trademarks and logos are the property of EnerSys and its affiliates unless otherwise noted.